



## GEETHANJALI INSTITUTE OF SCIENCE & TECHNOLOGY Sports and Games Cell

### Annual Sport Day Report AY 2021-22 ECE DEPT

Geethanjali institute of science and technology has celebrated grand sports event in the college with a great joy on 7<sup>th</sup> June 2022. The programme was organized by the principal Prof.Dr.G.subba Rao, physical director Mr.P.Ashok Kumar, Sports convener Mr.U.Penchalaiah Assistant Professor and the management organized well. Through the event they called student to be active in all aspects. Our principal sir has addressed the student that physical exercise helps us to keep yourselves fit. Sports and games develop sportive sprit and lay the foundation for the future .It also helps us to be active both physical and mentally .Therefore our college curriculum gives distinct place to sports and games.

In this annual sports day our department students are participated in grand manner in three days 26-05-2022 to 28-06-2022 various events like Cricket, volley ball, Kabaddi, Shuttle, chess, throw ball and Tennicoit for both boys and girls. the total 142 students are actively participated among the all B.Tech branches and 54 students were won I,&II places. The achievers have given prizes and Certificates.









# GEETHANJALI INSTITUTE OF SCIENCE & TECHNOLOGY:: NELLORE

(Unit of USHODAYA EDUCATIONAL SOCIETY)

Accredited with 'A' Grade by NAAC, An ISO 9001: 2015 certified Institution- Recognised under sec. 2(f) & 12(B) of UGC Act, 1956  
3rd Mile, Bombay Highway, Gangavaram (V), Kovur(M), SPSR Nellore (Dt), Andhra Pradesh, India- 524137  
Ph. No. 08622-212779, 212781, Fax: 08622-212778, E-Mail: principal@gist.edu.in / geethanjali@gist.edu.in, Website: gist.edu.in

Ref: PD/Cir/05/22/01

Date: 24-05-2022

## Circular-01

It is informed to all students of B. Tech that Annual Sports and Games events is scheduled on 03-06-2022 and 04-06-2022. Interested participants can enroll their teams along with their names with respective event coordinator on or before **31<sup>st</sup> May, 2022**

The following instructions and events are given for students.

Instructions	Sports & Games
Registration Starts from	26-05-2022
Last date for receiving entries	29-05-2022
Fixture will be drawn on	01-06-2022

- Sports & Games Cell - Convener – Mr. U. Penchal Reddy, Asst. Prof. - ECE
- Overall Event Coordinator – Mr. P. Ashok Kumar, Physical Director.

### Important Note for Students

1. For Kabaddi, Volley ball, Throw ball is allowed only one team from each branch.
2. For Shuttle, Tenni-koit, Table Tennis and Chess is allowed two teams from each branch

### LIST OF GAMES AND SPORTS FOR STUDENTS (Boys & Girls) – 2021-2022

S.NO	GAMES & SPORTS	CATEGORY	PLAYERS
1	KABADDI	Boys & Girls	09 No's
2	CRICKET	BOYS	13 No's
3	VOLLEY BALL	BOYS	08 No's
4	THROW BALL	GIRLS	10 No's
5	SHUTTLE	Boys & Girls	Doubles
6	TENNI-KOIT	GIRLS	Doubles
7	CHESS	Boys & Girls	Individual

### LIST OF GAMES AND SPORTS FOR STAFF – 2021-2022

S.NO	GAMES & SPORTS	CATEGORY	PLAYERS
1	CRICKET	MEN	13 No's
2	THROW BALL	WOMEN	10 No's
3	CHESS & CARROMS	MEN/WOMEN	Singles-Chess/Doubles-Carroms

### RULES AND REGULATIONS FOR SPORTS AND GAMES STUDENTS

1. It is the responsibility of the student's team captain that details should be furnished.
2. All the teams are requested to report at the respective courts.
3. The matches will be played on knockout basis.
4. Sports dress code is mandatory.
5. Referee's decision is final in all matches.

  
Physical Director

  
PRINCIPAL

Copy

All Notice Board

HOD/HOD i/c- ECE/CSE/EEE/CIVIL/MECH/S&H/Principal (A) Polytechnic (For Dept. and Class circulation)

Secretary for information

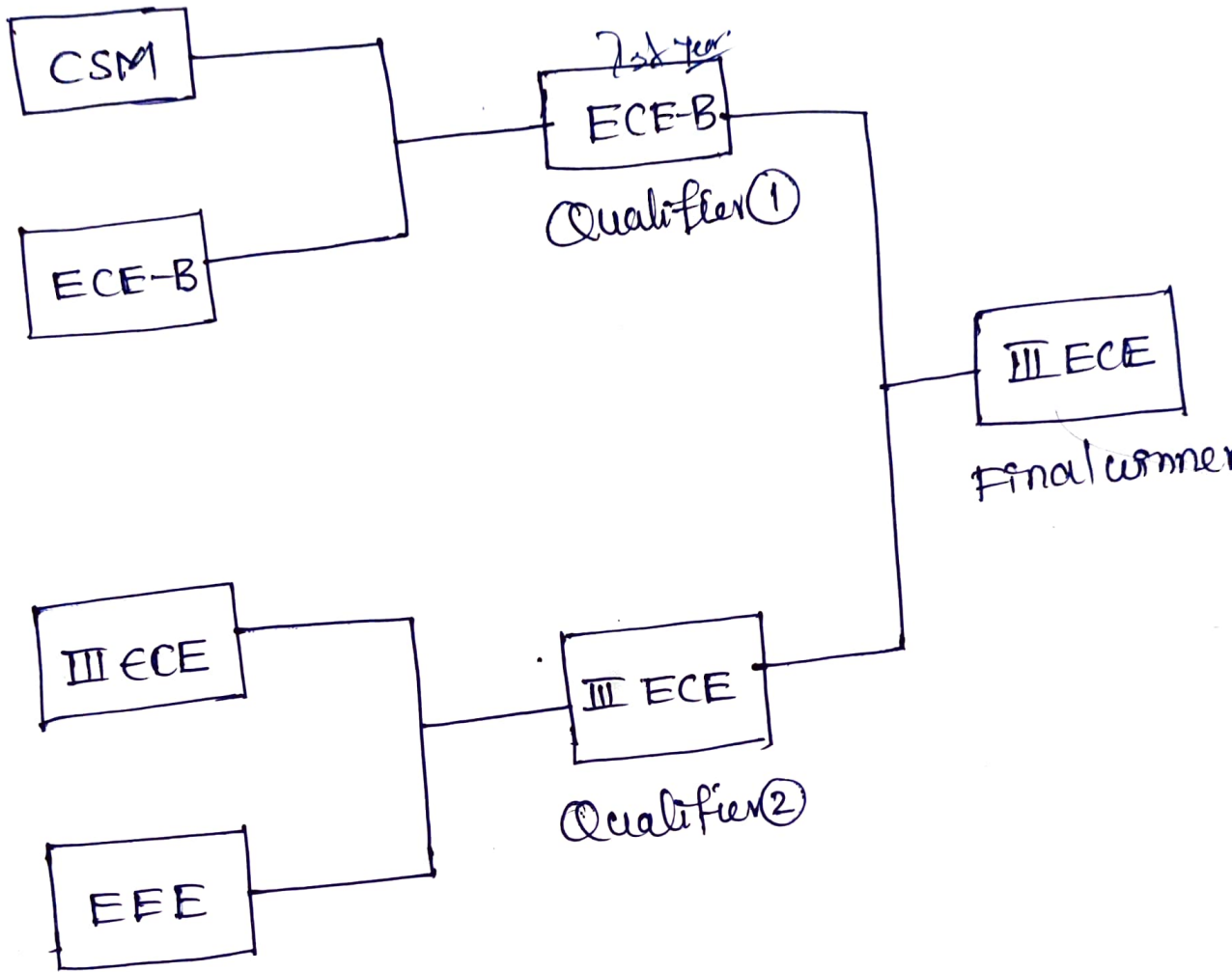
Training and Placement Divn.,/NSS Coordinator, Library

Dir (A & A), AO/Office file,

KABADDI

Players: B.Tech Girls

Fixture:



*(Handwritten signature)*



## GEETHANJALI INSTITUTE OF SCIENCE & TECHNOLOGY: NELLORE

### DEPARTMENT OF ELECTRONICS AND COMMUNICATION ENGINEERING

#### Academic Year -2021-22 Sports and Games – Participated

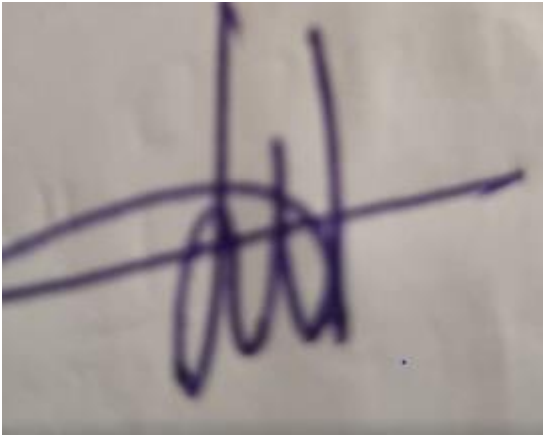
Sl.NO	Roll Number	Name of the Student	Class	Name of the Event	Level
1.	202U1A0464	KANCHI CHAITANYA	II Year	SHUTTLE	Intra College Level
2.	202U1A0427	CHILUMUKURI SIVA	II Year		Intra College Level
3.	202U1A04F2	SHAIK SHAHIL	II Year		Intra College Level
4.	202U1A04I4	VANGALLU ASHOK	II Year		Intra College Level
5.	192U1A0444	GUDURU BOSE	III Year		Intra College Level
6.	192U1A0415	BOMMA VENKATA SRESTA	III Year		Intra College Level
7.	192U1A04F3	SHAIK SHAMIK	III Year		Intra College Level
8.	192U1A04E5	SHAIK MOHAMMAD JAVAD	III Year		Intra College Level
9.	192U1A0408	BATHINI CHARITHA VENKATA SAI	III Year	THROW BALL	Intra College Level
10.	192U1A0422	CHOPPA PALLAVI	III Year		Intra College Level
11.	192U1A0479	MAHAMAD FARZANA	III Year		Intra College Level
12.	192U1A0481	MANDE TEJASWINI	III Year		Intra College Level
13.	192U1A04D3	SAJJANAPU ANUNYA	III Year		Intra College Level
14.	192U1A04E0	SHAIK AYESHA	III Year		Intra College Level
15.	192U1A04G5	SYED NEHA	III Year		Intra College Level
16.	192U1A04H6	UDDANDI PRAGATHI	III Year		Intra College Level

17.	192U1A04I0	VADIYARA REENA	III Year	THROWBALL	Intra College Level	
18.	182U1A04F4	SUDALAGUNTA VENKATA JYOSHNA	IV Year		Intra College Level	
19.	202U1A0477	KOTA SRI CHAITHANYA	II Year		Intra College Level	
20.	202U1A04C4	PONNURU VENKATA SAI DEEPIKA	II Year		Intra College Level	
21.	202U1A0480	MADALA BHARGAVI	II Year		Intra College Level	
22.	202U1A0474	KONDAPALLI VENKATA SAI ALEKHYA	II Year		Intra College Level	
23.	202U1A0475	KORRAPATI JHANSI	II Year		Intra College Level	
24.	202U1A0479	LEBURU SINDHUJA	II Year		Intra College Level	
25.	202U1A04B3	PASUPULETI SOUMYA	II Year		Intra College Level	
26.	202U1A04B2	PASAGADUGULA BHARGAVI	II Year		Intra College Level	
27.	202U1A0431	DASARI VANDANA	II Year		Intra College Level	
28.	202U1A04B7	PAVULURU HARITHA	II Year		Intra College Level	
29.	192U1A04B0	PAMANJI DEEPIKA	III Year		Intra College Level	
30.	192U1A04A6	OJJA KAVERI	III Year		Intra College Level	
31.	192U1A0438	GODA PRIYA	III Year		Intra College Level	
32.	202U1A0465	KANDAGADDLA LAKSHMI AKHILA	II Year		Intra College Level	
33.	202U1A0426	CHERUKURU SOWMYA	II Year		Intra College Level	
34.	202U1A0422	CHAKKA VENKATA THANUJA	II Year		Intra College Level	
35.	202U1A04J0	YELCHURU VENKATA LAKSHMI HEMALATHA	II Year		Intra College Level	
36.	202U1A04E7	SHAIK MUSKAN	II Year		Intra College Level	
37.	202U1A04H8	UPPUTURI POOJITHA	II Year		THROWBALL	Intra College Level

38.	192U1A04B5	PASUPULETI BHAVANA	III Year	TENNISOIT	Intra College Level
39.	192U1A04A6	OJJA KAVERI	III Year		Intra College Level
40.	202U1A0480	MADALA BHARGAVI	II Year		Intra College Level
41.	202U1A04B2	PASAGADUGULA BHARGAVI	II Year		Intra College Level
42.	192U1A0479	MAHAMAD FARZANA	III Year		Intra College Level
43.	192U1A0481	MANDE TEJASWINI	III Year		Intra College Level
44.	192U1A04A6	OJJA KAVERI	III Year		Intra College Level
45.	192U1A04B5	PASUPULETI BHAVANA	III Year		Intra College Level
46.	192U1A04D0	PUVVADA DORASANAMMA	III Year		Intra College Level
47.	202U1A0401	AATA SIDDARDHA	II Year		VOLLEY BALL
48.	202U1A0416	BATHALA GURUNADH	II Year	Intra College Level	
49.	202U1A0418	BATHALA RAJESH	II Year	Intra College Level	
50.	202U1A0415	BANKA PAVAN KUMAR REDDY	II Year	Intra College Level	
51.	202U1A0456	INGILELA KEERTHANRAO	II Year	Intra College Level	
52.	202U1A0402	ADIDAM JAYANTH	II Year	Intra College Level	
53.	202U1A0458	JALADI JEEVANADH	II Year	Intra College Level	
54.	202U1A0432	DEVANDLA VAMSI	II Year	Intra College Level	
55.	182U1A04E8	SHAIK VASEEM	IV Year	CRICKET	Intra College Level
56.	182U1A04D8	SHAIK MUTHAHAR	IV Year		Intra College Level
57.	182U1A04G2	SYED THOUHID	IV Year		Intra College Level



58.	182U1A0438	DHANIREDDY RAKESH	IV Year	CRICKET	Intra College Level	
59.	182U1A0447	GOLLA SUMANTH KUMAR	IV Year		Intra College Level	
60.	192U1A04H4	TIRUVALLURU UMESH	III Year		Intra College Level	
61.	192U1A04F6	SHAIK ZAKEER AHAMED	III Year		Intra College Level	
62.	192U1A04A3	NELLORE SYAM	III Year		Intra College Level	
63.	192U1A0432	GANDAVARAM SURYA	III Year		Intra College Level	
64.	192U1A0471	KUMMAGIRI MURALIKRISHNA	III Year		Intra College Level	
65.	202U1A0407	ANAM PAVAN KUMAR	II Year		Intra College Level	
66.	202U1A0427	CHILUMUKURI SIVA	II Year		Intra College Level	
67.	202U1A0456	INGILELA KEERTHANRAO	II Year		Intra College Level	
68.	192U1A0416	BURLA BHUVAN SHYAM REDDY	III Year		KABADDI	Intra College Level
69.	192U1A0439	GODA VINOD KUMAR	III Year			Intra College Level
70.	192U1A0476	MADATHALA GURU PRASAD REDDY	III Year			Intra College Level
71.	192U1A0417	BYNA VENKATESH	III Year	Intra College Level		
72.	192U1A0450	KAMEPALLI GOPINADH	III Year	Intra College Level		
73.	192U1A0444	GUDURU BOSE	III Year	Intra College Level		
74.	202U1A04G6	SYED AKRAM	II Year	Intra College Level		
75.	202U1A04H1	TANDRA YASWANTH KUMAR	II Year	Intra College Level		



**Faculty Incharge**



**HOD**



**GEETHANJALI INSTITUTE OF SCIENCE & TECHNOLOGY: NELLORE**

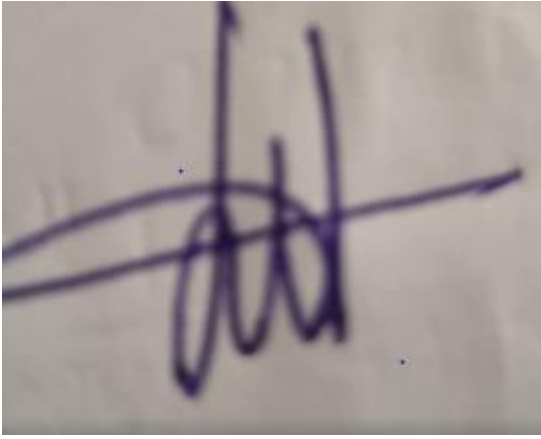
**DEPARTMENT OF ELECTRONICS AND COMMUNICATION ENGINEERING**

**Academic Year -2021-22  
Sports and Games – Awarded**

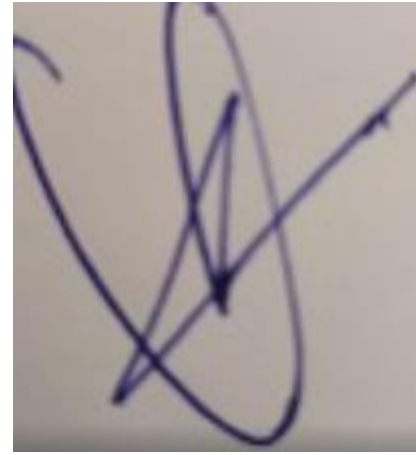
Sl.NO	Roll Number	Name of the Student	Class	Name of the Event	Venue	Level	Prizes Awarded
1	192U1A04C7	POLAKA CHARITHA	III Year	CHESS	GIST, Nellore	Intra College Level	2 <sup>st</sup> prize
2	202U1A04D8	SAYAD SOHEAL	II Year	SHUTTLE	GIST, Nellore	Intra College Level	2 <sup>st</sup> prize
3	192U1A04B5	PASUPULETI BHAVANA	III Year	TENNISOIT	GIST, Nellore	Intra College Level	2 <sup>st</sup> prize
4	192U1A04A6	OJJA KAVERI	III Year				
5	182U1A04E8	SHAIK VASEEM	IV Year	CRICKET(MEN)	GIST,Nellore	Intra College level	1 <sup>st</sup> prize
6	182U1A04D8	SHAIK MUTHAHAR	IV Year				
7	182U1A04G2	SYED THOUHID	IV Year				
8	182U1A0438	DHANIREDDY RAKESH	IV Year				
9	182U1A0447	GOLLA SUMANTH KUMAR	IV Year				
10	192U1A04H4	TIRUVALLURU UMESH	III Year				
11	192U1A04F6	SHAIK ZAKEER AHAMED	III Year				
12	192U1A04A3	NELLORE SYAM	III Year				

13	192U1A0432	GANDAVARAM SURYA	III Year	CRICKET(MEN)	GIST, Nellore	Intra College Level	1 <sup>st</sup> prize
14	192U1A0471	KUMMAGIRI MURALIKRISHNA	III Year				
15	202U1A0407	ANAM PAVAN KUMAR	II Year				
16	202U1A0427	CHILUMUKURI SIVA	II Year				
17	202U1A0456	INGILELA KEERTHANRAO	II Year				
18	192U1A0408	BATHINI CHARITHA VENKATA SAI	III Year	THROWBALL	GIST, Nellore	Intra College Level	2 <sup>st</sup> prize
19	192U1A0422	CHOPPA PALLAVI	III Year				
20	192U1A0479	MAHAMAD FARZANA	III Year				
21	192U1A0481	MANDE TEJASWINI	III Year				
22	192U1A04D3	SAJJANAPU ANUNYA	III Year				
23	192U1A04E0	SHAIK AYESHA	III Year				
24	192U1A04G5	SYED NEHA	III Year				
25	192U1A04H6	UDDANDI PRAGATHI	III Year				
26	192U1A04I0	VADIYARA REENA	III Year				
27	182U1A04F4	SUDALAGUNTA VENKATA JYOSHNA	IV Year				
28	192U1A0479	MAHAMAD FARZANA	III Year				
29	192U1A04B0	PAMANJI DEEPIKA	III Year				
30	192U1A04B5	PASUPULETI BHAVANA	III Year				

31	192U1A04A1	NATAKARANI SYAMALA	III Year	KABADDI(WOMEN)	GIST, Nellore	Intra College Level	1 <sup>st</sup> prize
32	192U1A04D3	SAJJANAPU ANUNYA	III Year				
33	192U1A04H6	UDDANDI PRAGATHI	III Year				
34	192U1A04D0	PUVVADA DORASANAMMA	III Year				
35	202U1A04B3	PASUPULETI SOUMYA	II Year				
36	202U1A0479	LEBURU SINDHUJA	II Year				
37	202U1A0408	ANKINAPALLI CHANDRASEKHAR	III Year	KABADDI(MEN)	GIST, Nellore	Intra College Level	2 <sup>st</sup> prize
38	202U1A0407	ANAM PAVAN KUMAR	III Year				
39	202U1A0401	AATA SIDDARDHA	III Year				
40	202U1A0415	BANKA PAVAN KUMAR REDDY	III Year				
41	202U1A0458	JALADI JEEVANADH	III Year				
42	202U1A04A2	NAKKALA UMA MAHESH	III Year				
43	202U1A04H1	TANDRA YASWANTH KUMAR	III Year				
44	202U1A0418	VIBUDHI RAKESH	III Year				
45	202U1A0411	VALLEPU VENKATAPRASAD	III Year				



**Faculty incharge**



**HOD**